

LINEAR GAUGES (RESISTANCE TYPE)

IP40
WATERPROOF

**HIGH RESISTANT TO
ENVIRONMENT INTERFERENCE**



7152-A04



7152-D04

Linear gauges:

- For harsh environments
- With return spring
- Flexible bearings at both ends for high shock and vibration resistance
- Output resistance

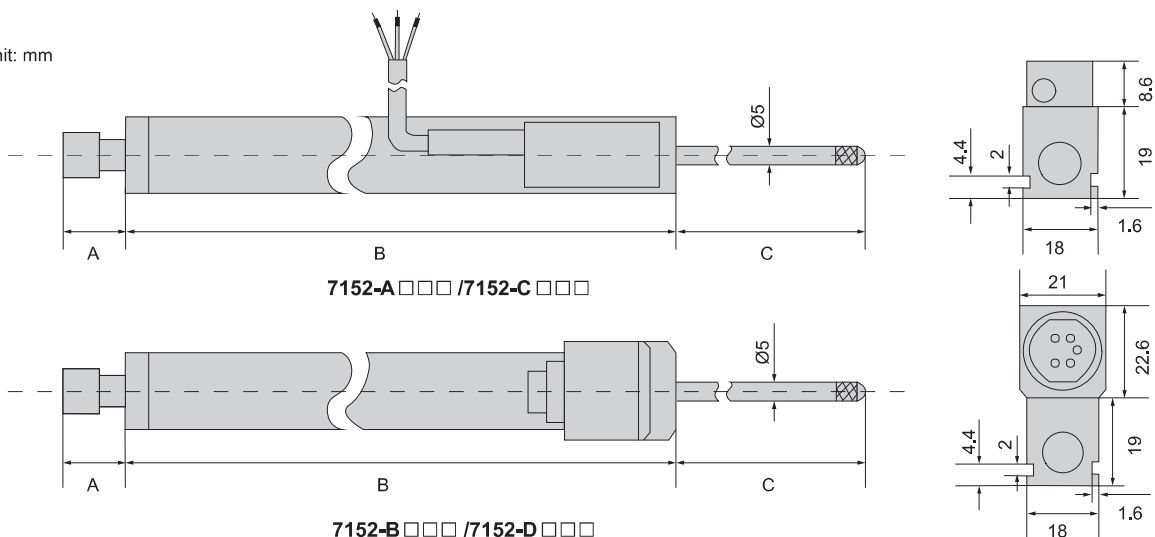
LINEAR GAUGE SPECIFICATION (STANDARD ACCURACY)

Code	7152-A01	7152-A02	7152-A03	7152-A04	7152-A05	7152-B01	7152-B02	7152-B03	7152-B04	
Outlet	3-core PVC shielded cable, 2m					5-pin M16 x 0.75 circular connector				
Range	10mm	25mm	50mm	75mm	100mm	25mm	50mm	75mm	100mm	
Accuracy	±0.3%FS									
Repeatability	0.01mm									
Operation current	≤1μA									
Max. fault current	10mA									
Max. operation voltage	42V									
Temperature coefficient	5ppm/k (the resistance changes 5 parts per million of the original value for every 1°C change in temperature)									
Forward force (horizontal)	≤3.5N									
Backward force (horizontal)	≤5.0N	≤5.0N	≤5.0N	≤7.0N	≤7.0N	≤5.0N	≤5.0N	≤7.0N	≤7.0N	
Max. operation frequency (probe face up)	20Hz	18Hz	14Hz	10Hz	10Hz	18Hz	14Hz	10Hz	10Hz	
Operation environment	-30~100°C, <95%RH (non-condensing)					-30~85°C, <95%RH (non-condensing)				
Dust/waterproof	IP40									

LINEAR GAUGE SPECIFICATION (HIGH ACCURACY)

Code	7152-C01	7152-C02	7152-C03	7152-C04	7152-C05	7152-D01	7152-D02	7152-D03	7152-D04	
Outlet	3-core PVC shielded cable, 2m					5-pin M16 x 0.75 circular connector				
Range	10mm	25mm	50mm	75mm	100mm	25mm	50mm	75mm	100mm	
Accuracy	±0.25%FS	±0.2%FS	±0.15%FS	±0.1%FS	±0.075%FS	±0.2%FS	±0.15%FS	±0.1%FS	±0.075%FS	
Repeatability	0.01mm									
Operation current	≤1μA									
Max. fault current	10mA									
Max. operation voltage	24V	42V								
Temperature coefficient	5ppm/k (the resistance changes 5 parts per million of the original value for every 1°C change in temperature)									
Forward force (horizontal)	≤3.5N									
Backward force (horizontal)	≤5.0N	≤5.0N	≤5.0N	≤7.0N	≤7.0N	≤5.0N	≤5.0N	≤7.0N	≤7.0N	
Max. operation frequency (probe face up)	20Hz	18Hz	14Hz	11Hz	10Hz	18Hz	14Hz	11Hz	10Hz	
Operation environment	-30~100°C, <95%RH (non-condensing)					-30~85°C, <95%RH (non-condensing)				
Dust/waterproof	IP40									

unit: mm



LINEAR GAUGE DIMENSION

(mm)

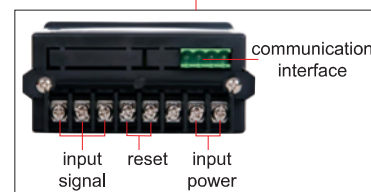
Code	7152-A01	7152-A02	7152-A03	7152-A04	7152-A05	7152-B01	7152-B02	7152-B03	7152-B04
	7152-C01	7152-C02	7152-C03	7152-C04	7152-C05	7152-D01	7152-D02	7152-D03	7152-D04
A	7	12							
B	48	63	94.4	134.4	166	63	94.4	134.4	166
C	21	62	87	112	137	62	87	112	137

Displays:

- 5-digit LCD, display range (-19999~32654)
- Built-in isolation module for power supply
- Switchable between full and zero position



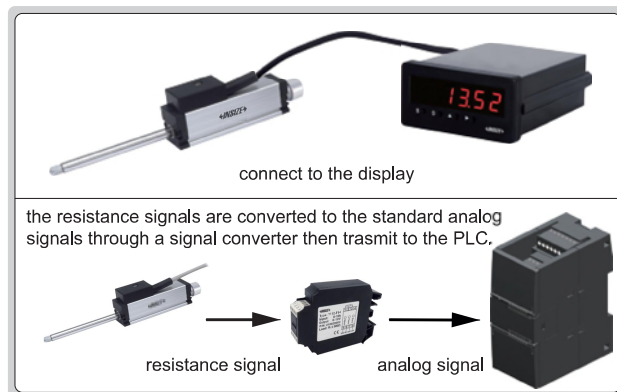
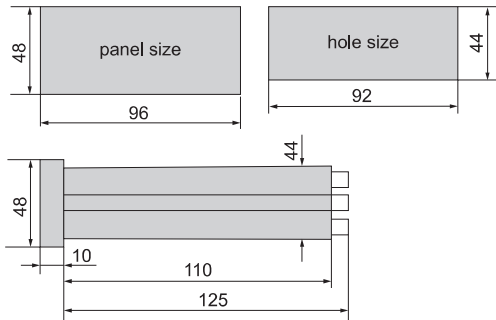
7152-E06



DISPLAY SPECIFICATION (OPTIONAL)

Code	7152-E01	7152-E02	7152-E03	7152-E04	7152-E05	7152-E06	7152-E07
Operation voltage	220V AC (24V is optional)						
Communication interface	RS485 (RS232 is optional)						
Operation mode	Modbus RTU						
Output signal	0~10V	0~5V	4~20mA	0~20mA	RS232	RS485	N/A
Input signal	(0~20)kΩ						
Refresh time	50ms						
Alarm	With 2 relay outputs (4 relay outputs is optional)						
Operation environment	-10~55°C, <65% (non-condensing)						
Dust/waterproof	IP55 (front panel)						
Dimension	135×96×48mm						
Weight	400g						

unit: mm



application

Signal converters:

- Provide regulated power supply for linear gauges
- Built-in isolation module for power supply
- Switchable between full and zero position



7152-F04



7152-G02

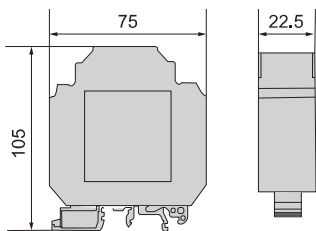
SIGNAL CONVERTER SPECIFICATION (STANDARD ACCURACY, OPTIONAL)

Code	7152-F01	7152-F02	7152-F03	7152-F04
Operation voltage	DC 18~36V, built-in reverse power protection			
Power consumption	Max. 24V/25mA			
Input signal	0~1kΩ, 0~5kΩ, 0~10kΩ, 0~20kΩ			
Output signal	0~10V	0~5V	4~20mA	0~20mA
Accuracy	0.02%			
Operation environment	-30~85°C			
Temperature coefficient	25ppm/K			
Dust/waterproof	IP20			
Dimension	105×75×22.5mm			
Weight	100g			

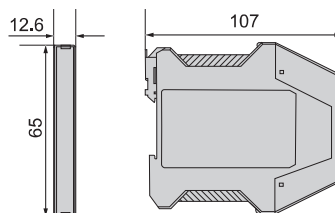
SIGNAL CONVERTER SPECIFICATION (HIGH ACCURACY, OPTIONAL)

Code	7152-G01	7152-G02	7152-G03
Operation voltage	DC 24V±20%, built-in reverse power protection		
Power consumption	70mA (unloaded)		
Input signal	0~1kΩ, 0~5kΩ, 0~10kΩ, 0~20kΩ		
Output signal	0~10V	4~20mA	0~20mA
Accuracy	0.01%		
Operation environment	5~70°C		
Temperature coefficient	20ppm/K		
Dust/waterproof	IP50 (without terminal clips)		
Dimension	107×65×12.6mm		
Weight	110g		

unit: mm



7152-F□□□



7152-G□□□